

4

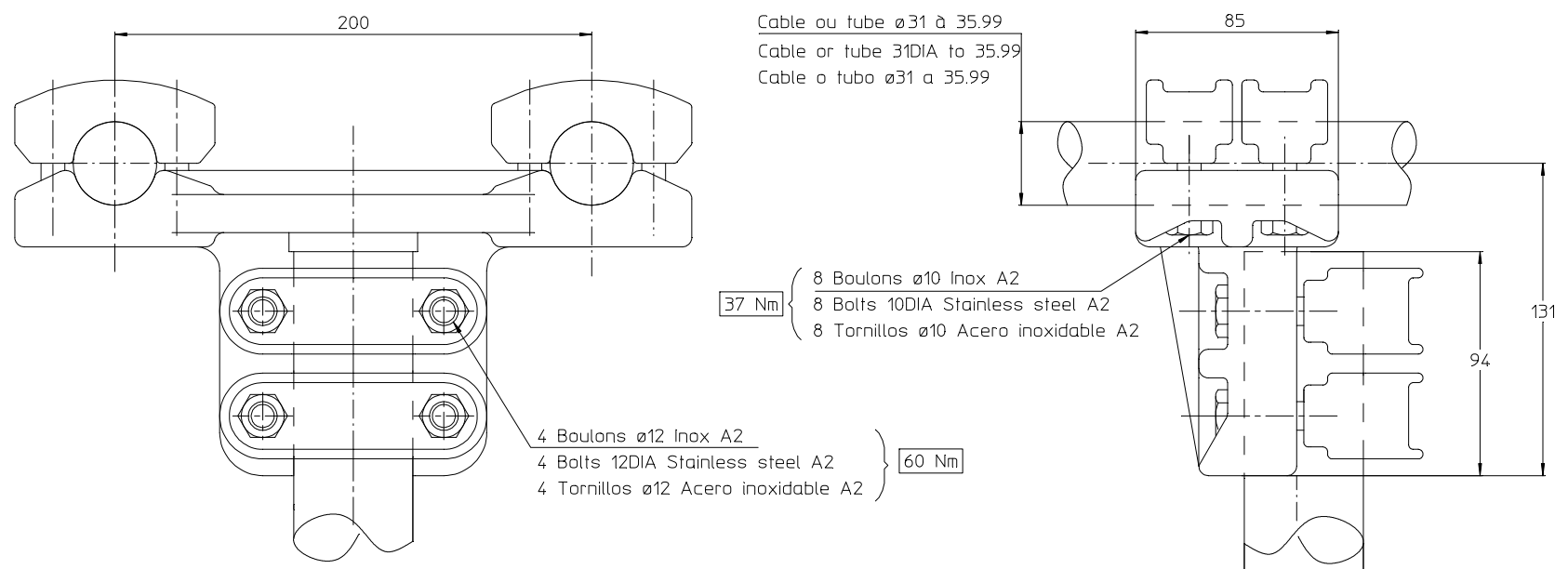
3

2

1

THIS DRAWING IS UNPUBLISHED.  
 DIFFUSION RESEINTE AMP  
 © COPYRIGHT 1997 BY AMP INCORPORATED. ALL RIGHTS RESERVED.  
 TOUS DROITS RESERVES

LOC		DIST		REVISIONS			
P	LTR REV	DESCRIPTION MODIFICATIONS		DATE	DWN DESS.	APVD APP.	
	A	FE754		04/10/93	-	-	
	B	FJ0003		9-Jan-98	EN	HV	



- 37 Nm { 8 Boulons ø10 Inox A2  
8 Bolts 10DIA Stainless steel A2  
8 Tornillos ø10 Acero inoxidable A2
- 60 Nm { 4 Boulons ø12 Inox A2  
4 Bolts 12DIA Stainless steel A2  
4 Tornillos ø12 Acero inoxidable A2

Tube ou Borne ø50  
 Tube or Terminal 50DIA  
 Tubo o Borna ø50

<small>THIS DRAWING IS A CONTROLLED DOCUMENT FOR AMP INCORPORATED. IT IS SUBJECT TO CHANGE AND THE CONTROLLING ENGINEERING ORGANIZATION SHOULD BE CONTACTED FOR THE LATEST REVISION. CE PLAN EST UN DOCUMENT CONTROLÉ PAR AMP INCORPORATED. IL EST SUSCEPTIBLE D'ÊTRE REVISÉ, CONTACTER LE SERVICE TECHNIQUE D'AMP SIMEL POUR OBTENIR LA DERNIÈRE REVISION.</small>		DWN /DESSINE 04/10/93 Vogel P. CHK /VERIFIE 9-Jan-98 ROYER		<b>AMP</b> <b>AMP-SIMEL</b> 21220 Gevrey Chambertin FRANCE	
DIMENSIONS: mm		TOLERANCES UNLESS OTHERWISE SPECIFIED PER TOLERANCES NON SPECIFIEES SELON : -		APVD /APPROUVE - VIAL PRODUCT SPEC - SPEC. PRODUIT - 02BFC0031 APPLICATION SPEC - SPEC. APPLICATION -	
		MATERIAL MATIERE - FINISH FINITION -		NAME TITRE T 82 F 35 E200 50 SIZE FORMAT A3 CAGE CODE 00779 DRAWING NO NO PLAN ©=707369	
ITEM: ..... ○		WEIGHT MASSE APPROX. 3.1 KG CUSTOMER DWG / PLAN CLIENT		UNQUEMENT FOUR REFERENCE SCALE ECHELLE 1/2 SHEET FEUILLE 1 OF 1 DE 1 REV B	